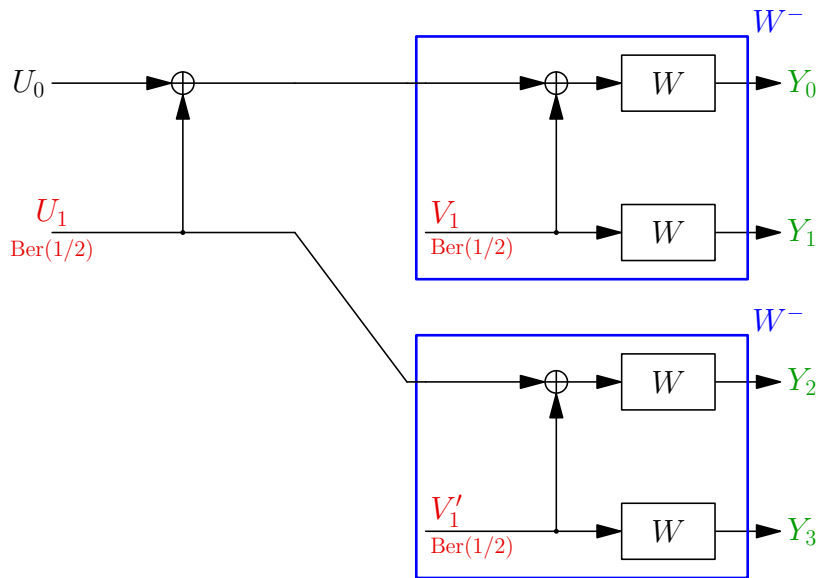
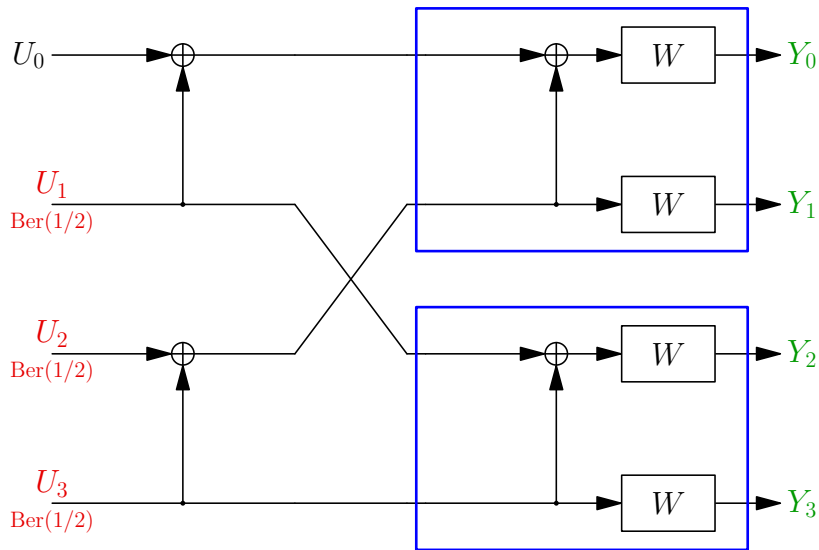


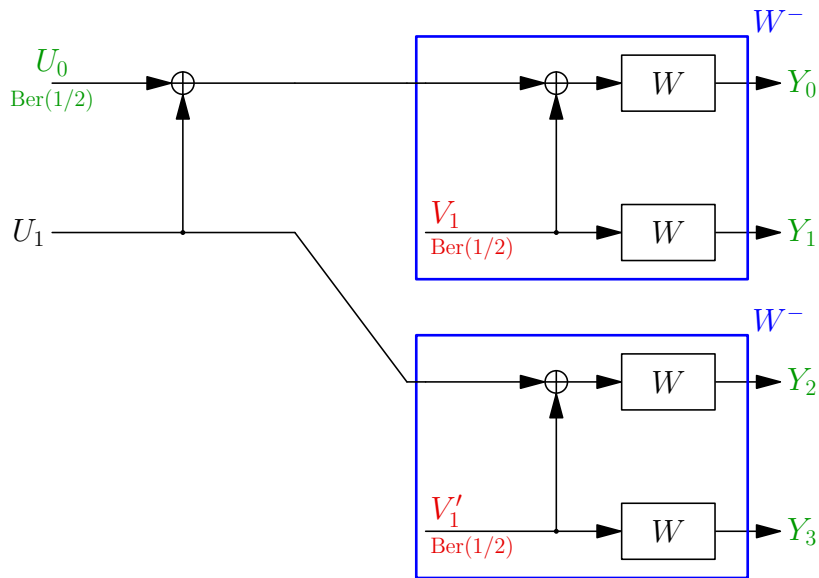
(a) The channel $(w^-)^-$, by definition



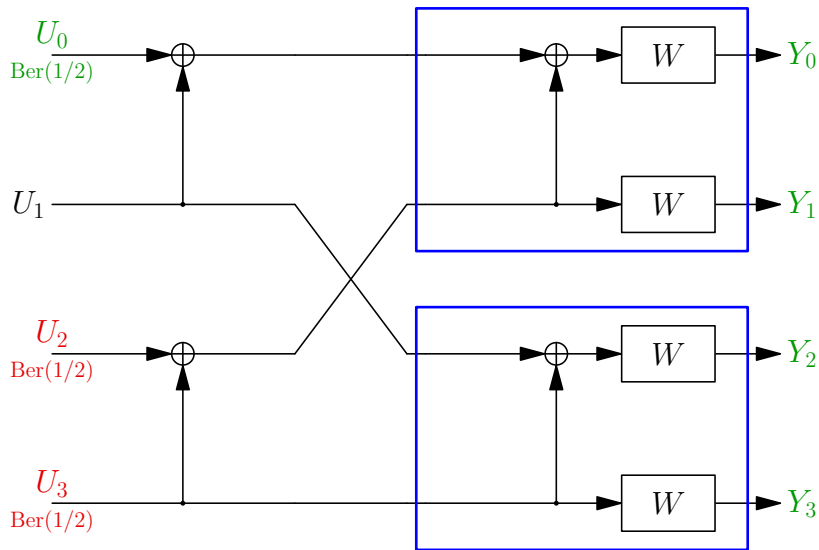
(b) The channel $(w^-)^-$, equivalent formulation



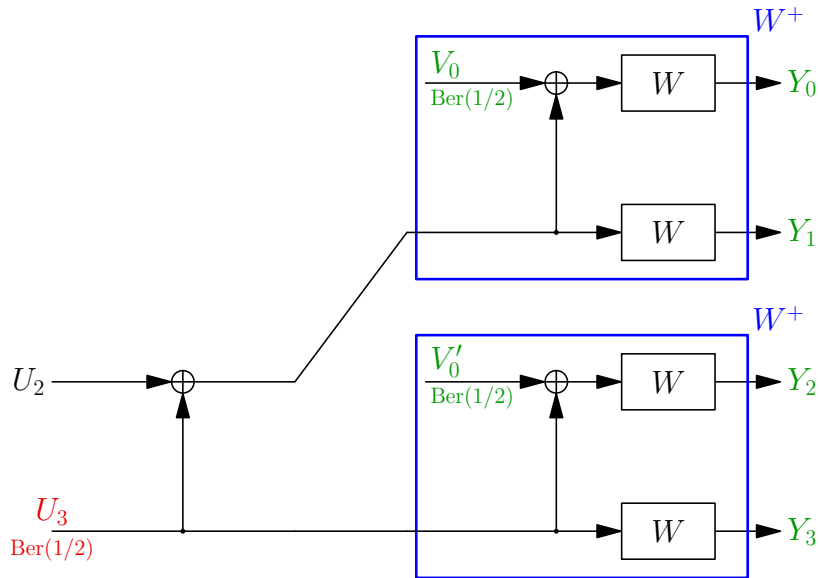
(c) The channel $(w^-)^+$, by definition



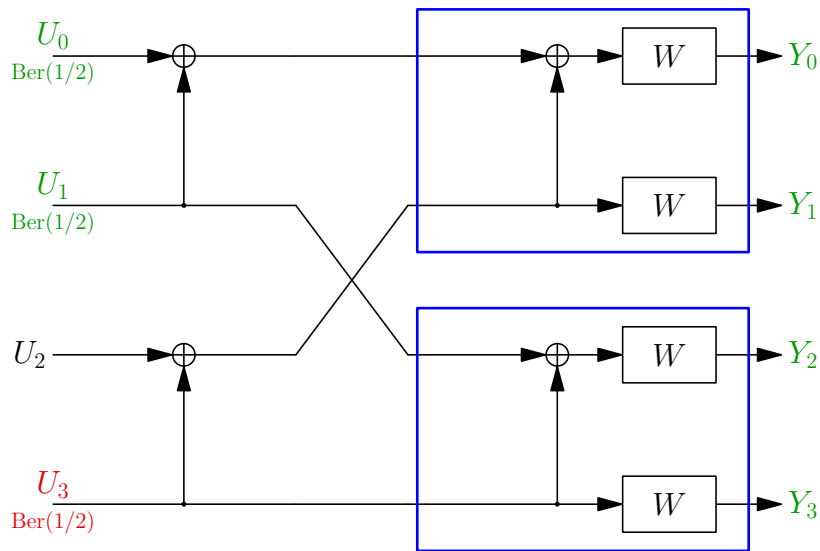
(d) The channel $(w^-)^+$, equivalent formulation



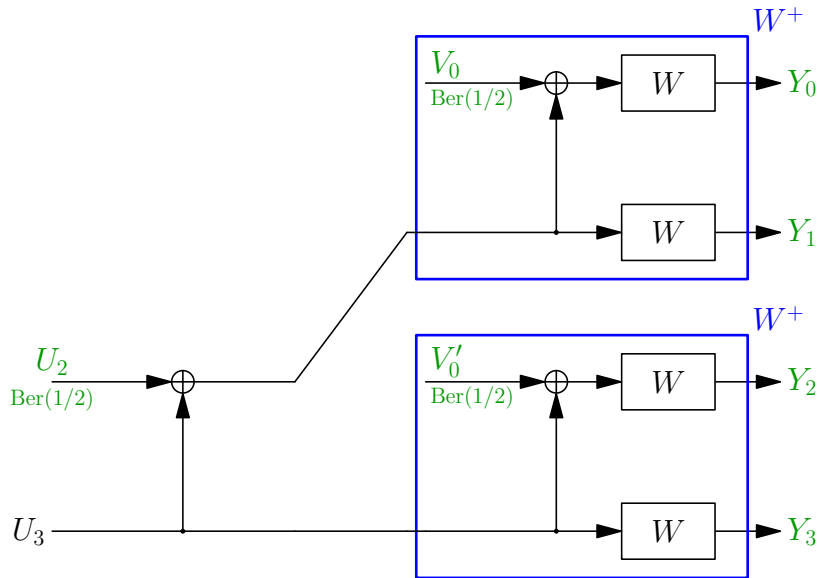
(e) The channel $(w^+)^-$, by definition



(f) The channel $(w^+)^-$, equivalent formulation



(g) The channel $(w^+)^+$, by definition



(h) The channel $(w^+)^+$, equivalent formulation

